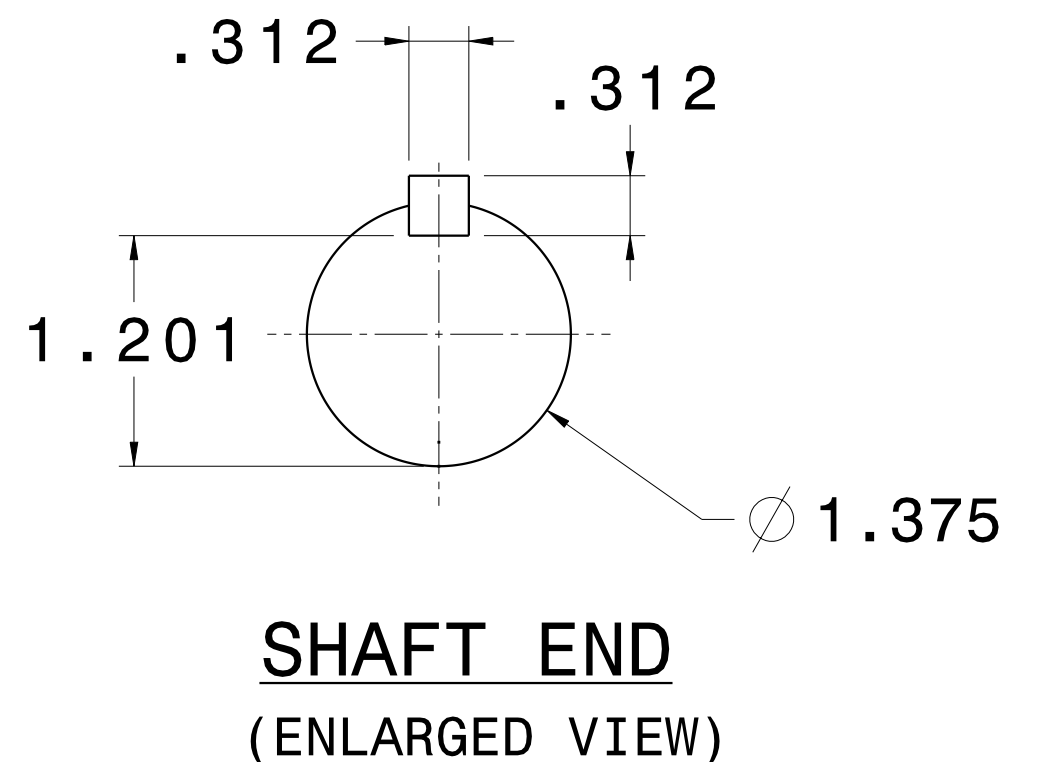
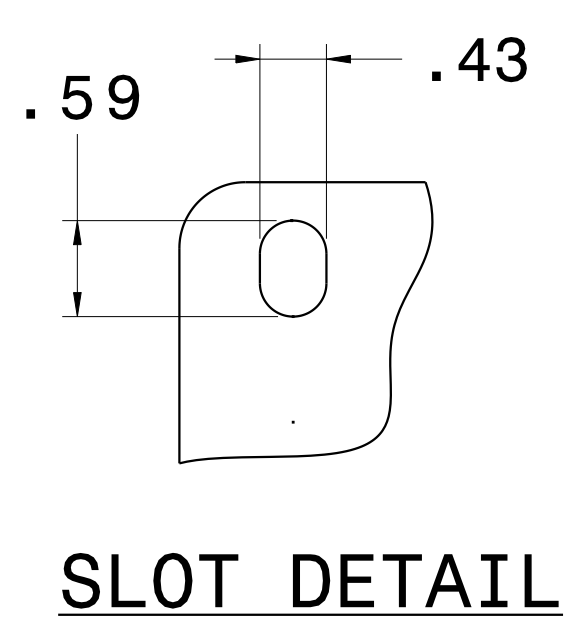
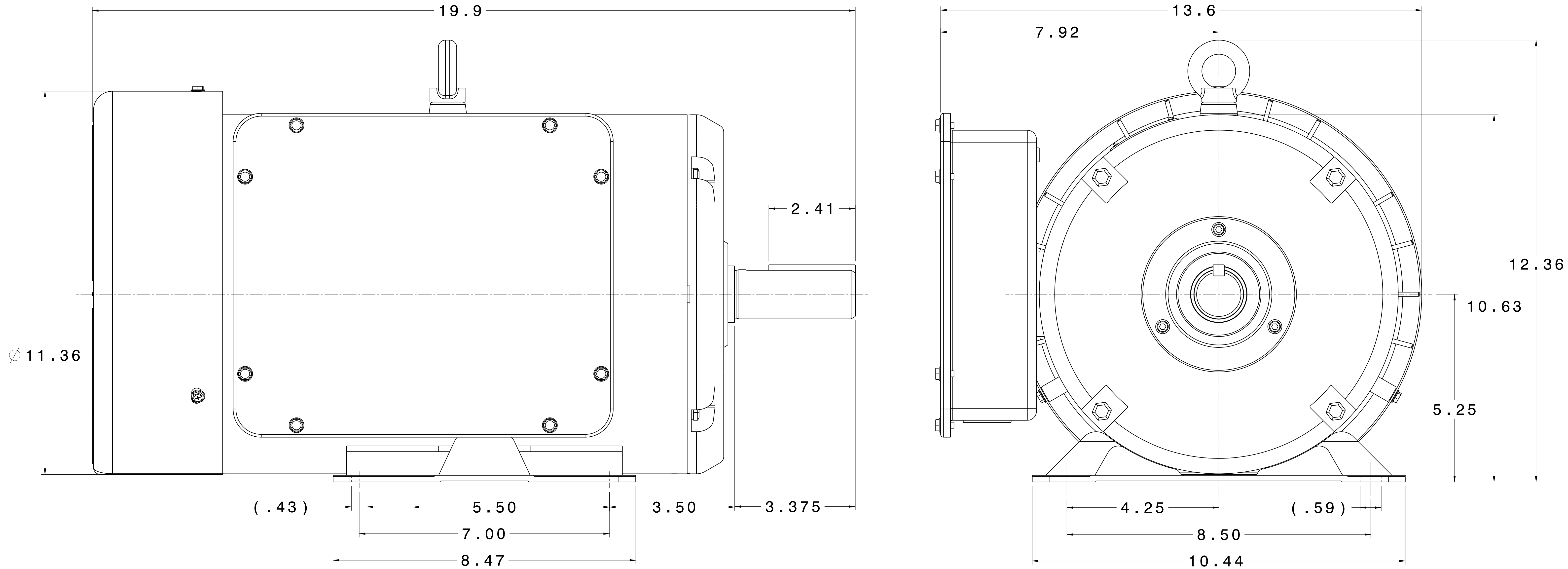


CATALOG #	TYPE	FRAME	OUTPUT		POLE	SYN. SPEED R.P.M.	VOLTAGE V.	Hz.	TIME RATING	INSULATION CLASS	SERVICE FACTOR	BEARINGS		WEIGHT LBS
			HP	kW								DE	NDE	
ST7/54	BEGS19	213T	7.5	5.6	4	1800	208-230	60	CONT.	F	1.15	6208ZZ	6206ZZ	188

TOTALLY ENCLOSED FAN-COOLED TYPE, SQUIRREL-CAGE ROTOR



- NOTES:
1. DIMENSIONS IN INCH.
 2. ENCLOSURE: IP44.
 3. FOR BELT SERVICE OR DIRECT COUPLING SERVICE.
 4. BI-DIRECTIONAL ROTATION.

REF: 19047R50GE10A	REV. DATA		REV NO
	TECO Westinghouse		01
	HVAC SINGLE PHASE OUTLINE DIMENSIONS		DWG NO. ST7/54
	DWN K. MILNER	090617	APPD T. FELPS
TECO-WESTINGHOUSE MOTOR COMPANY		ROUND ROCK, TEXAS	USA